

**Arbiton**  
FLOOR EXPERT

2022



[www.arbiton.com](http://www.arbiton.com)

# FLOOR PROFILES

# WE ARE THE FLOOR EXPERTS



**WE CREATE**  
**WE TEST**  
**WE PRODUCE**

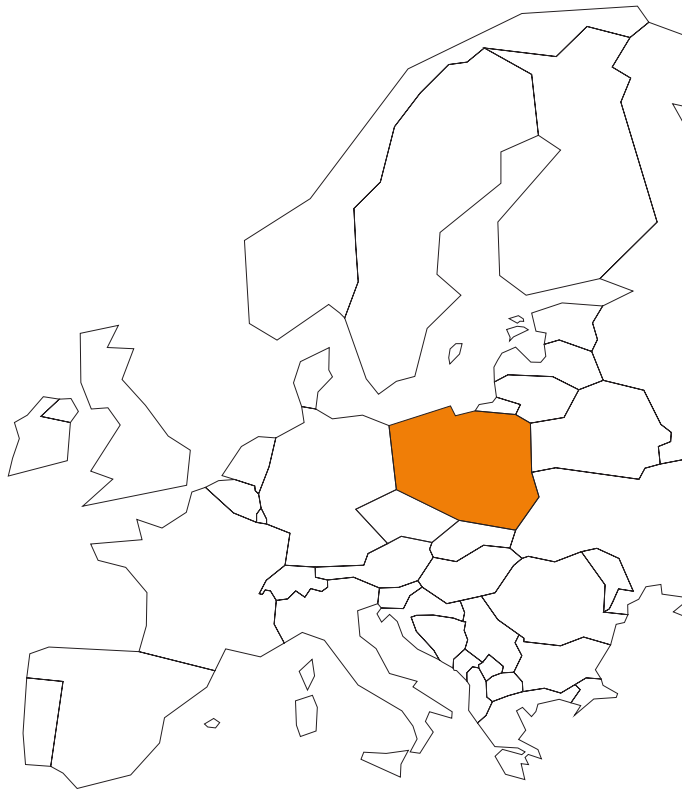
When you buy Arbiton floors, you will receive not only an excellent product with perfect technical parameters, but also a professional team of experts who take care of the after-sale service at every step.



When you buy Arbiton floors, you will receive not only an excellent product with perfect technical parameters, but also a professional team of experts who take care of the after-sale service at every step.



Our A.design studio is responsible for unique decor patterns, inspired by the most beautiful varieties of wood from around the world. Engineers develop products that provide better and better technical parameters. Production Team and Quality Control ensures that our vinyl floors are the same, highest quality every single time.



When you buy Arbiton floors, you will receive not only an excellent product with perfect technical parameters, but also a professional team of experts who take care of the after-sale service at every step.



# SYSTEM PROFILES

## COLOR SYSTEM PROFILES

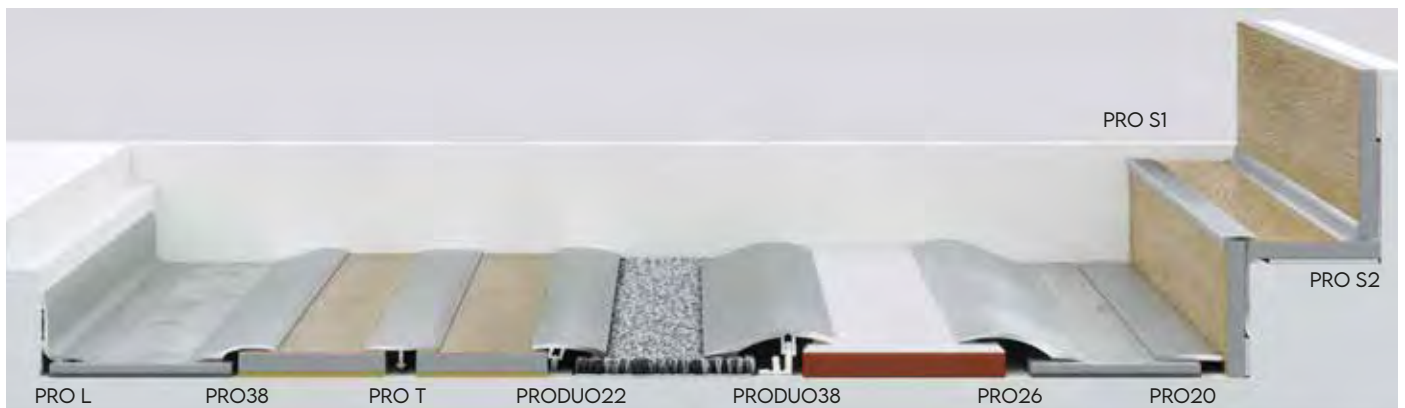
Four universal shapes and 35 colors matched for the most popular floors and Arbiton skirting boards.



	Width	Wood	Anode	Inox	Screw fix	Glue fix	Max dilatation	Max leveling	Page
<b>CS30</b>	30 mm	+	+	-	+	+	24 mm	6 mm	14
<b>CS37</b>	37 mm	+	+	-	+	+	31 mm	17 mm	16
<b>CS22</b>	22 mm	+	+	-	-	+	16 mm	-	18
<b>CS25</b>	25 mm	+	+	-	-	+	20 mm	-	20

## PRO SYSTEM PROFILES

Precise, minimalistic solution for professionals, 8 shapes correspond to 99% of needs.





	Width	Wood	Anode	Inox	Screw fix	Glue fix	Max dilatation	Max leveling	Page
<b>PRO20</b>	20 mm	-	-	+	-	+	10 mm	-	24
<b>PRO T</b>	22 mm	-	-	+	-	+	16 mm	-	25
<b>PRODUO22</b>	22 mm	-	-	+	+	+	16 mm	-	26
<b>PRO26</b>	26 mm	-	-	+	-	+	10 mm	6 mm	27
<b>PRO38</b>	38 mm	-	-	+	-	+	32 mm	16 mm	28
<b>PRODUO38</b>	38 mm	-	-	+	+	+	32 mm	16 mm	29
<b>PRO L</b>	15/20 mm	-	-	+	-	+	15 mm	-	30
<b>PRO S1</b>	5,5 mm	-	-	+	+	+	-	-	32
<b>PRO S2</b>	12/4,5 mm	-	-	+	+	+	-	-	33

# COMPLEMENTARY OFFER

Traditional shapes, proven solutions.

	Width	Wood	Anode	Inox	Screw fix	Glue fix	Max dilatation	Max leveling	Page	
	<b>FOR THE FLOORS AT THE SAME LEVEL</b>									
	<b>T16</b>	16 mm	-	+	-	-	+	10 mm	-	36
	<b>SM1</b>	30 mm	-	+	-	+	-	24 mm	-	37
	<b>PR3</b>	30 mm	-	+	-	+	-	24 mm	-	38
	<b>PR8</b>	38 mm	-	+	-	+	-	32 mm	10 mm	39
<b>PR3K</b>	30 mm	-	+	-	-	+	24 mm	-	40	

	<b>LEVELING PROFILE FOR MISMATCHING FLOORS</b>									
	<b>SM2</b>	41 mm	-	+	-	+	-	35 mm	13 mm	41
	<b>SM3</b>	47 mm	-	+	-	+	-	41 mm	17 mm	42
	<b>PR4</b>	48 mm	-	+	-	+	-	42 mm	14 mm	43
<b>PR10</b>	70 mm	-	+	-	+	-	64 mm	10 mm	44	

	<b>STAIRS PROFILES</b>									
	<b>CS2</b>	25 mm	-	+	-	-	+	-	-	44
	<b>PS2</b>	25 mm	-	+	-	+	-	-	-	46
	<b>PS6</b>	46 mm	-	+	-	+	-	-	-	47
<b>PS8</b>	40 mm	-	+	-	+	-	-	-	48	

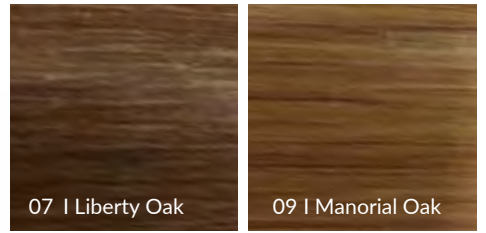
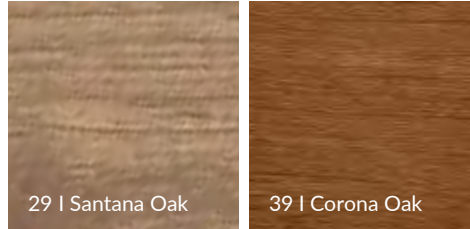
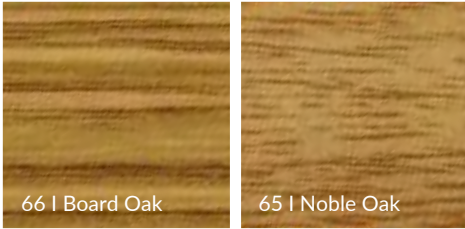


# PERFECTLY MATCHED PROFILES AND SKIRTING BOARDS

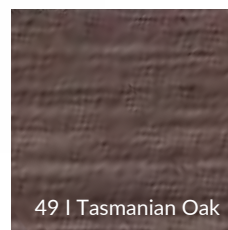
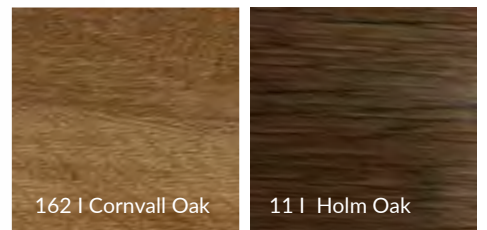
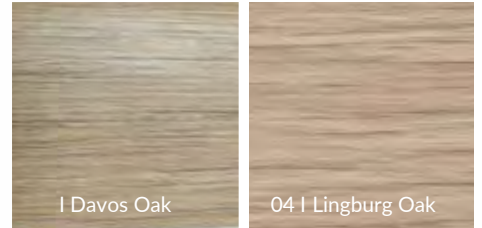
We are offering a range of 35 colors matched to the best-selling laminated panels and vinyl click floors in COLOR SYSTEM profiles collection, created to fulfill DIY customer needs. The offer is directed to self-service points and professionals looking for exact match of floor and accessories. COLOR SYSTEM is the certainty of a valuable choice. The one, that has never been so simple. Now you can choose a skirting boards and profile in the same color.







# 35 UNIQUE COLOURS



Profiles from COLOR SYSTEM collection are matched to all skirting boards from the INDO, LARS, MACK and VIGO collections

# COLOR SYSTEM

PERFECT MATCH

## INDO

PERFECTLY  
RESAMPLING  
THE REAL  
WOOD



## LARS

THE IDEAL  
COLOUR  
AND DESIGN  
MATCH



## MACK

WIDE  
INSTALLATION  
CHANNEL



## VIGO

HYBRID  
SKIRTING



## TORE

PERFECTLY  
RESAMPLING  
THE REAL  
WOOD

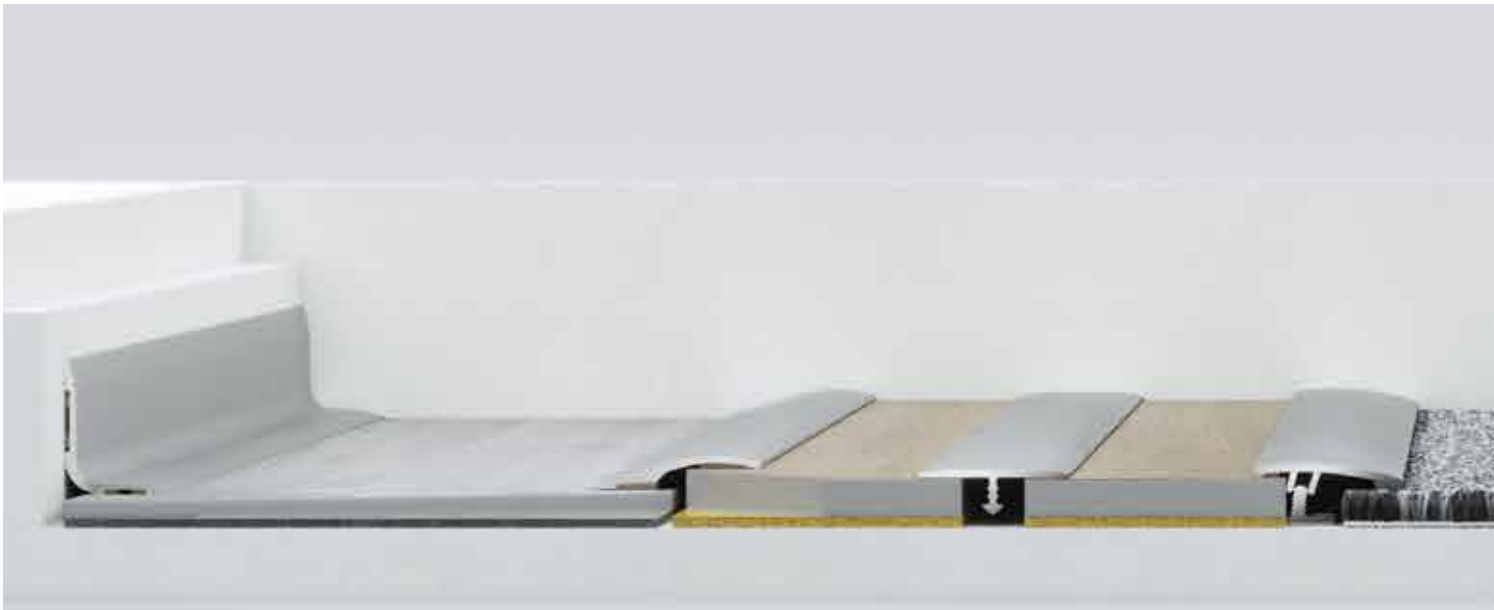




# SKIRTING BOARDS COLORS CORRESPONDING TO PROFILES COLORS

PROFIL CS	INDO	LARS	MACK	VIGO 60	TORE
40	1, 40	40	40	1	1
A1	41			2	2
A3					
45	133			3	3
52				4	4
25				25	
2	44			22	
42			25	44	
27		2		112	112
50	137	137			
48		50			
19	25	25	107, 131	44	102
46	131				
23	23			16	
3	3, 42	3, 42	3	107	107
44	138		138		
26	2		2		
20	20				
153			153		
158	158			173	158
159				159, 160, 161	159, 160, 161
30					
4	4	4	4		
66					
65	9				
7	154		154	110	110
9	10	46	46	163	163
31	5				
29		9			
47				9	154
39		32			
162				162	162
12	12	12		12	
49	140				
11	11			174	

# FOUR GROUPS OF PROFILES TO ANSWER DIFFERENT PURPOSES



## DILATATION PROFILES

### FLOOR AT THE SAME LEVEL

They are used to connect floors at the same level. You can connect with them any type of floor, e.g. vinyl click floors with a ceramic tiles. A wide range of colors allows you to match color to any floors. You can also choose a profile in silver or titanium.



## LEVELING PROFILES

### FLOORS AT DIFFERENT LEVELS

They are used to connect floors with different level. The differences are usually small, several millimetres, however, to aesthetically eliminate them it is necessary to choose the right profile.

## SYMBOLS



### MAX DILATATION: \_\_MM

This information shows maximum gap between floors, that particular profile can cover. For floor dilatation – look floor producers recommendations.



### SUPER FLAT

From designer's point of view, best profile is the flattest and smoothest one. Arbiton delivers new, extra flat solution, perfect even for the most demanding clients.



### MAX LEVELING: \_\_MM

This information shows maximum height difference between floors, that particular profile can cover. When calculating the height, always count the whole flooring system – floor + underlay/glue.



### SILICONE BARRIER

Silicone layer added to all Arbiton screw fix profiles, to protect against dirt getting under the profile.



### FINISHING PROFILES

They are used to finish the floors, mask the dilatation gap, in places where it is not covered eg by skirting board. Ideal to finish the floor next to balcony doors or entrances.



### STAIRS PROFILES

They are used to finish the edges of stairs. Some profiles of this type have an additional layer non-slip layer to ensure additional walking safety.



#### PROFI SOLUTION

Profiles for the most demanding clients. Professional assembly systems, narrow and extra flat solutions.



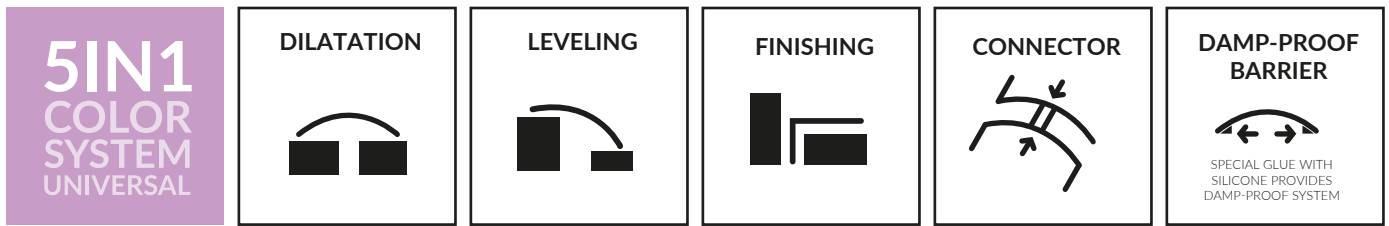
#### DILATATION GLUE

Special hot melt glue formula. Floor profile stays strongly fitted but allows the floor to expand and contract.



# COLOR SYSTEM

THE MOST UNIVERSAL SYSTEM OF FLOOR PROFILES



**CS30**



**CS37**



**CS22**



**CS25**



# ADDITIONAL ACCESSORIES INCLUDED WITH CS37 AND CS30

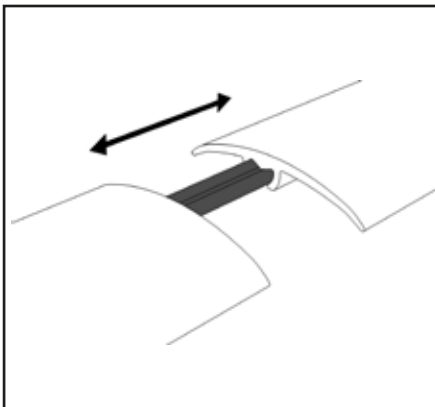
## MOUNTING DOWELS

- Quick and safe assembly



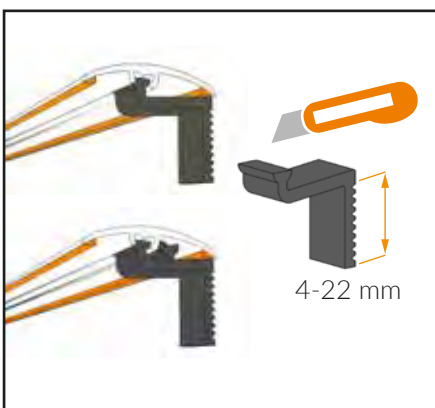
## CONNECTOR

- To connect two or more profiles
- Simple installation
- Bigger stability of the profile connection



## BRIDGE

- The bridge allows to finish the floor next to the wall or balcony doors
- Stable support of the profile next to the wall
- Adjustable height height – possibility to match up to 4-22 mm by cutting the bridge
- Quick and simple installation – just slide the bridge into the profile



# CS30



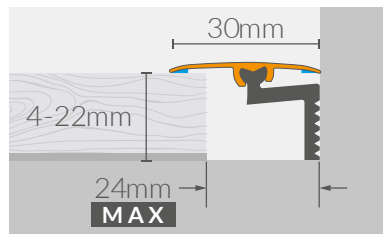
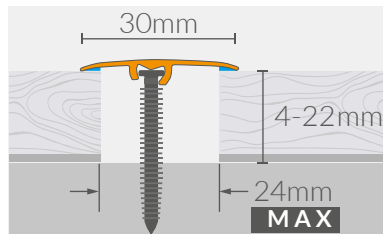
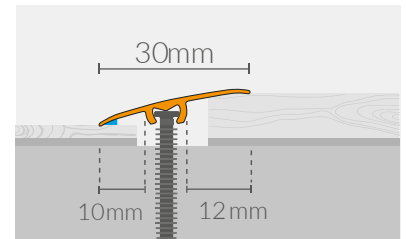
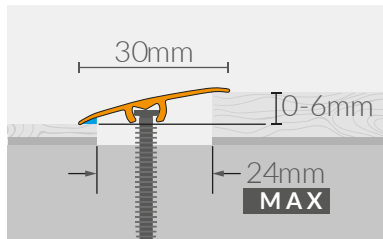
**MAX**  
DILATATION  
24 mm

**MAX**  
LEVELING  
6 mm

**5IN1**  
COLOR  
SYSTEM  
UNIVERSAL



## DIMENSIONS







2

**0,93 m** 5905167799963  
**1,86 m** 5905167800294



3

**0,93 m** 5905167799970  
**1,86 m** 5905167800300



4

**0,93 m** 5905167799987  
**1,86 m** 5905167800317



7

**0,93 m** 5905167799994  
**1,86 m** 5905167800324



9

**0,93 m** 5905167800003  
**1,86 m** 5905167800331



11

**0,93 m** 5905167800010  
**1,86 m** 5905167800348



12

**0,93 m** 5905167800027  
**1,86 m** 5905167800355



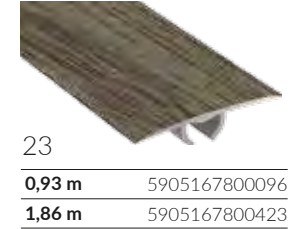
19

**0,93 m** 5905167800065  
**1,86 m** 5905167800393



20

**0,93 m** 5905167800072  
**1,86 m** 5905167800409



23

**0,93 m** 5905167800096  
**1,86 m** 5905167800423



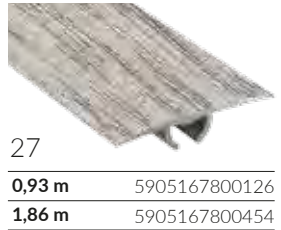
25

**0,93 m** 5905167800102  
**1,86 m** 5905167800430



26

**0,93 m** 5905167800119  
**1,86 m** 5905167800447



27

**0,93 m** 5905167800126  
**1,86 m** 5905167800454



29

**0,93 m** 5905167800140  
**1,86 m** 5905167800478



30

**0,93 m** 5905167800157  
**1,86 m** 5905167800485



31

**0,93 m** 5905167800164  
**1,86 m** 5905167800492



39

**0,93 m** 5905167800249  
**1,86 m** 5905167800577



42

**0,93 m** 5905167805671  
**1,86 m** 5905167805725



44

**0,93 m** 5905167805695  
**1,86 m** 5905167805749



45

**0,93 m** 5905167805817  
**1,86 m** 5905167805800



46

**0,93 m** 5905167815007  
**1,86 m** 5905167815052



47

**0,93 m** 5905167815014  
**1,86 m** 5905167815069



48

**0,93 m** 5905167815021  
**1,86 m** 5905167815076



49

**0,93 m** 5905167815038  
**1,86 m** 5905167815083



50

**0,93 m** 5905167815045  
**1,86 m** 5905167815090



65

**0,93 m** 5905167838976  
**1,86 m** 5905167839034



66

**0,93 m** 5905167838983  
**1,86 m** 5905167839041



153

**0,93 m** 5905167838990  
**1,86 m** 5905167839058



158

**0,93 m** 5905167839003  
**1,86 m** 5905167839065



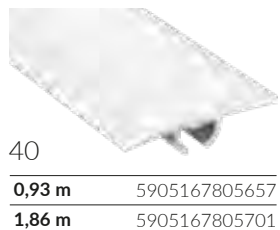
159

**0,93 m** 5905167839010  
**1,86 m** 5905167839027



162

**0,93 m** 5905167839027  
**1,86 m** 5905167839089



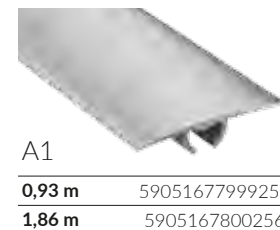
40

**0,93 m** 5905167805657  
**1,86 m** 5905167805701



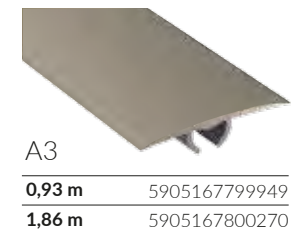
52

**0,93 m** 5905167824313  
**1,86 m** 5905167830192



A1

**0,93 m** 5905167799925  
**1,86 m** 5905167800256

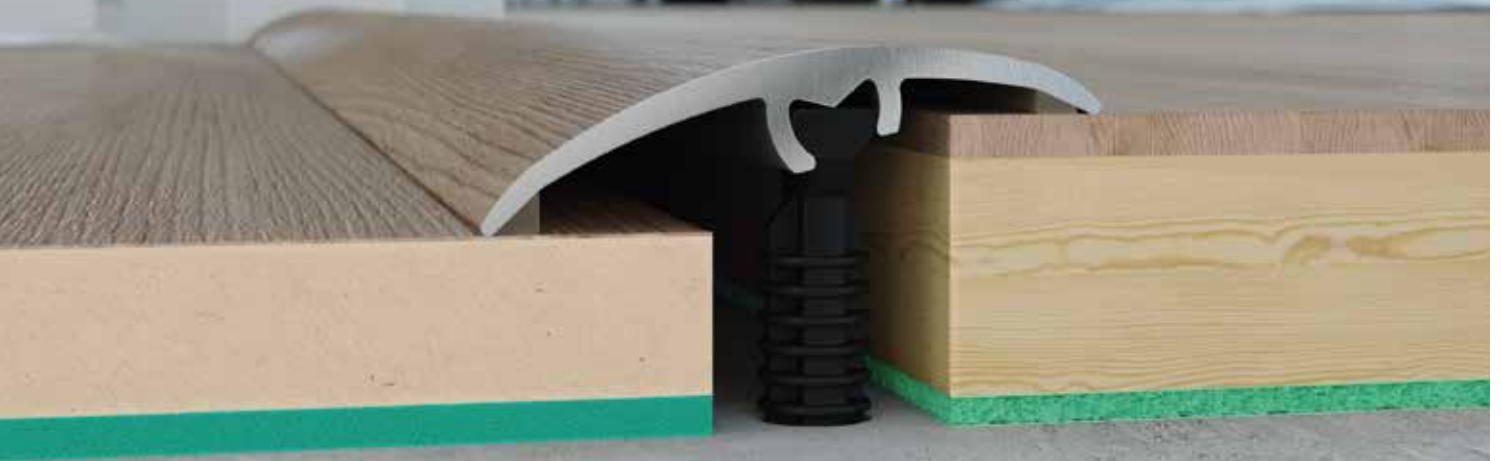


A3

**0,93 m** 5905167799949  
**1,86 m** 5905167800270

 0,93 m - 12 pcs. / 1,86 m - 6 pcs.

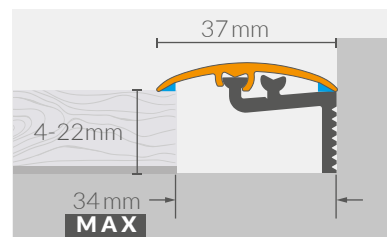
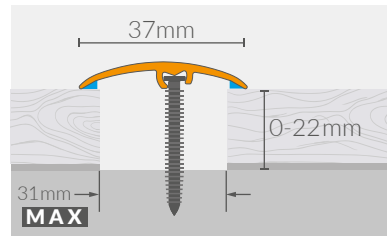
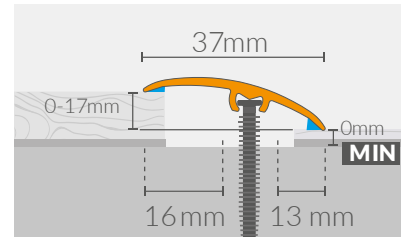
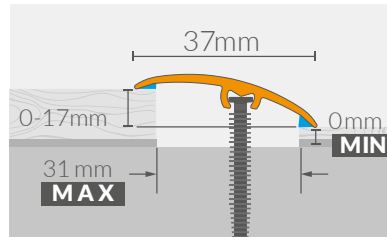
# CS37



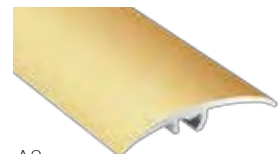
<b>MAX</b> DILATATION 31 mm	<b>MAX</b> LEVELING 17 mm	<b>5IN1</b> COLOR SYSTEM UNIVERSAL
-----------------------------------	---------------------------------	---

37 mm	
-------	--

## DIMENSIONS



## EXTRA COLOR



A2  
0,93 m 5905167769256



2  
0,93 m 5905167769287



3  
0,93 m 5905167769294



4  
0,93 m 5905167799925



7  
0,93 m 5905167799925



9  
0,93 m 5905167799925



11  
0,93 m 5905167800256



12  
0,93 m 5905167799925



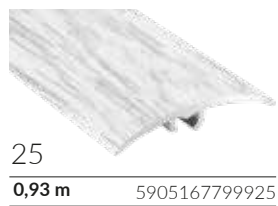
19  
0,93 m 5905167799925



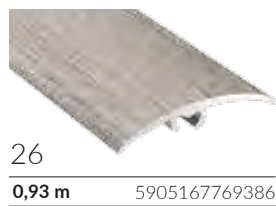
20  
0,93 m 5905167799925



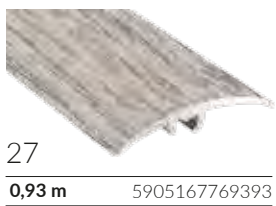
23  
0,93 m 5905167799925



25  
0,93 m 5905167799925



26  
0,93 m 5905167769386



27  
0,93 m 5905167769324



29  
0,93 m 5905167769423



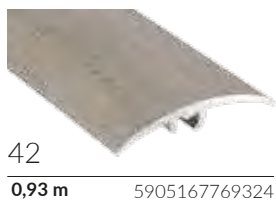
30  
0,93 m 5905167769447



31  
0,93 m 5905167769454



39  
0,93 m 5905167769485



42  
0,93 m 5905167769324



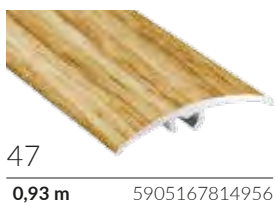
44  
0,93 m 5905167805572



45  
0,93 m 5905167805596



46  
0,93 m 5905167805824



47  
0,93 m 5905167814956



48  
0,93 m 5905167814963



49  
0,93 m 5905167814970



50  
0,93 m 5905167814994



65  
0,93 m 5905167838914



66  
0,93 m 5905167838921



153  
0,93 m 5905167838938



158  
0,93 m 5905167838945



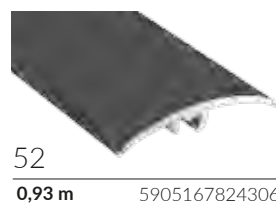
159  
0,93 m 5905167838952



162  
0,93 m 5905167838969



40  
0,93 m 5905167769492




52  
0,93 m 5905167824306



A1  
0,93 m 5905167769249



A3  
0,93 m 5905167769256

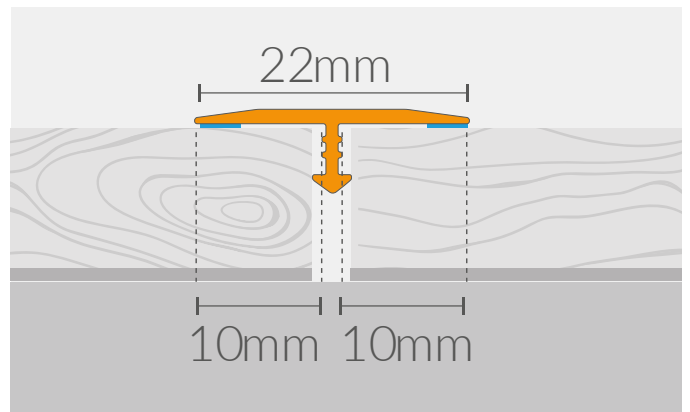
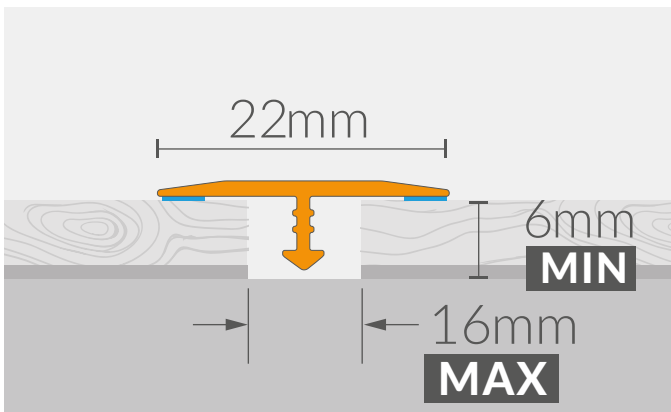
 0,93 m - 12 pcs.



# CS22



## DIMENSIONS





2  
1,86 m 5905167815519



3  
1,86 m 5905167815526



4  
1,86 m 5905167815533



7  
1,86 m 5905167815540



9  
1,86 m 5905167815557



11  
1,86 m 5905167815564



12  
1,86 m 5905167815571



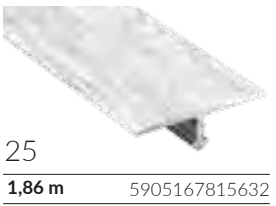
19  
1,86 m 5905167815601



20  
1,86 m 5905167815618



23  
1,86 m 5905167815625



25  
1,86 m 5905167815632



26  
1,86 m 5905167815649



27  
1,86 m 5905167815656



29  
1,86 m 5905167815663



30  
1,86 m 5905167815670



31  
1,86 m 5905167815687



39  
1,86 m 5905167815704



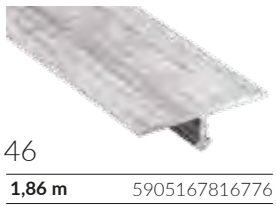
42  
1,86 m 5905167816738



44  
1,86 m 5905167816752



45  
1,86 m 5905167816769



46  
1,86 m 5905167816776



47  
1,86 m 5905167816783



48  
1,86 m 5905167816790



49  
1,86 m 5905167816806



50  
1,86 m 5905167816813



65  
1,86 m 5905167839096



66  
1,86 m 5905167839102



153  
1,86 m 5905167839119



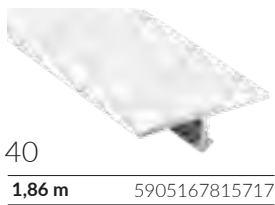
158  
1,86 m 5905167839126



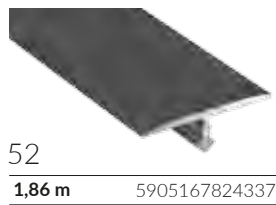
159  
1,86 m 5905167839133



162  
1,86 m 5905167839140



40  
1,86 m 5905167815717




52  
1,86 m 5905167824337



A1  
1,86 m 5905167815496



A3  
1,86 m 5905167815502

 1,86 m - 4 pcs.

# CS25



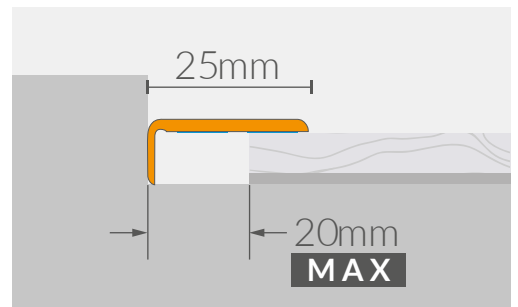
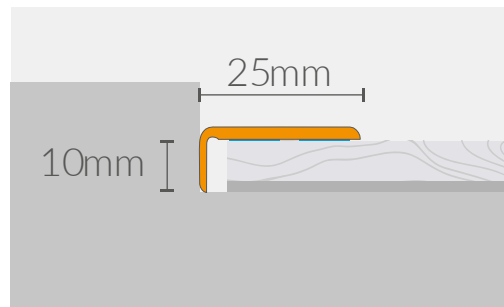
SILICONE  
BARIER  
○○○

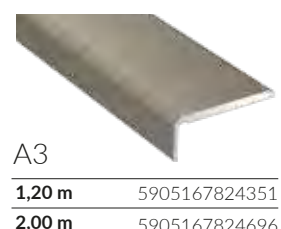
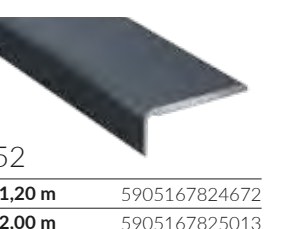
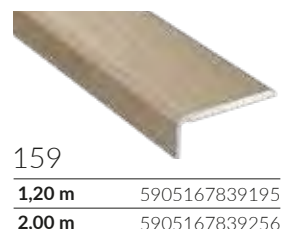
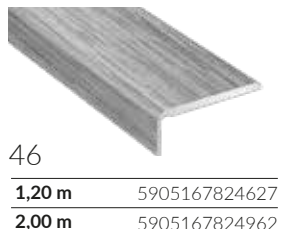
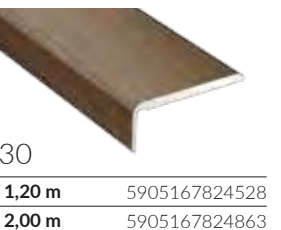
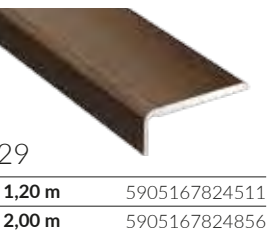
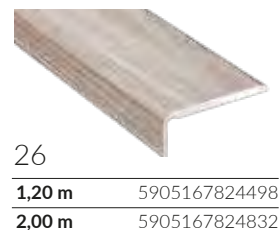
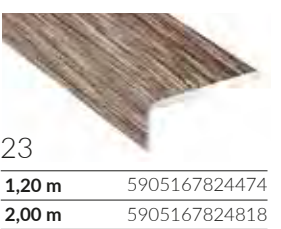
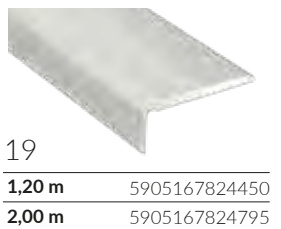
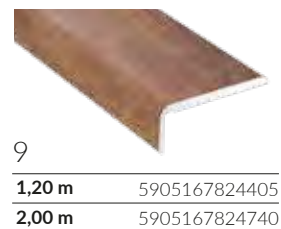
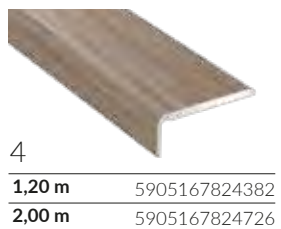
MAX  
DILATATION  
20 mm

25 mm

GLUE FIX

## DIMENSIONS





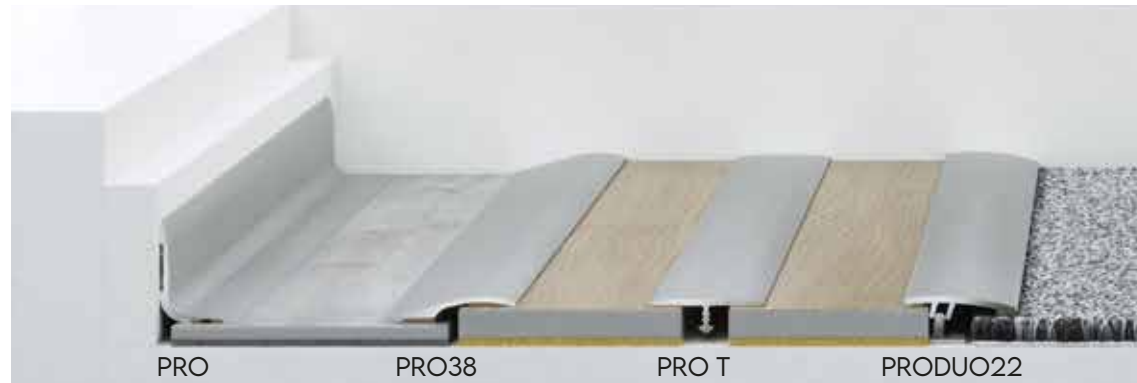
 1,2 m - 4 pcs. / 2,0 m - 4 pcs.



# PRO SYSTEM

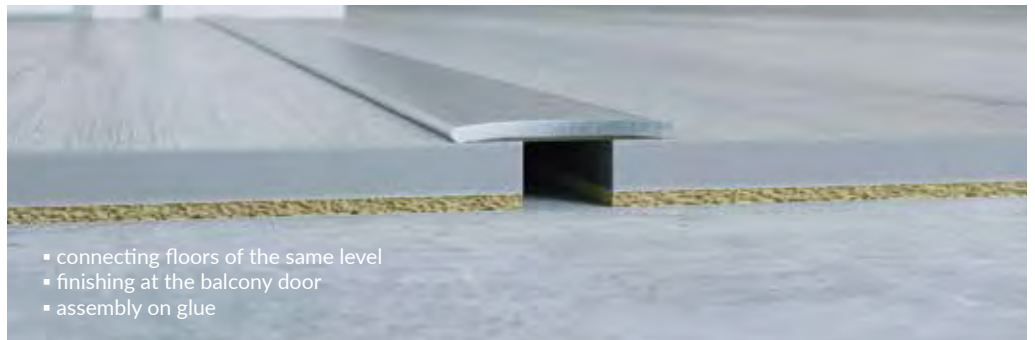
Professional solutions has never been so easy.

This offer is for the most demanding customers. If you are looking for a professional solution at its best style, the PRO SYSTEM offer includes precise and elegant solutions of the most common problems.



## PRO20

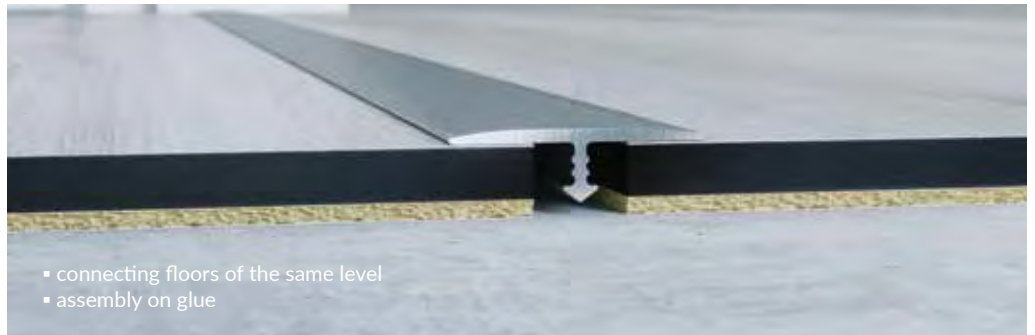
DILATATION  
OR FINISHING



- connecting floors of the same level
- finishing at the balcony door
- assembly on glue

## PRO T

DILATATION



- connecting floors of the same level
- assembly on glue

## PRODUO 22

CONNECTION  
WITH CARPET



- connection with carpet at the same level
- two-parts solid installation system
- assembly on glue or screws

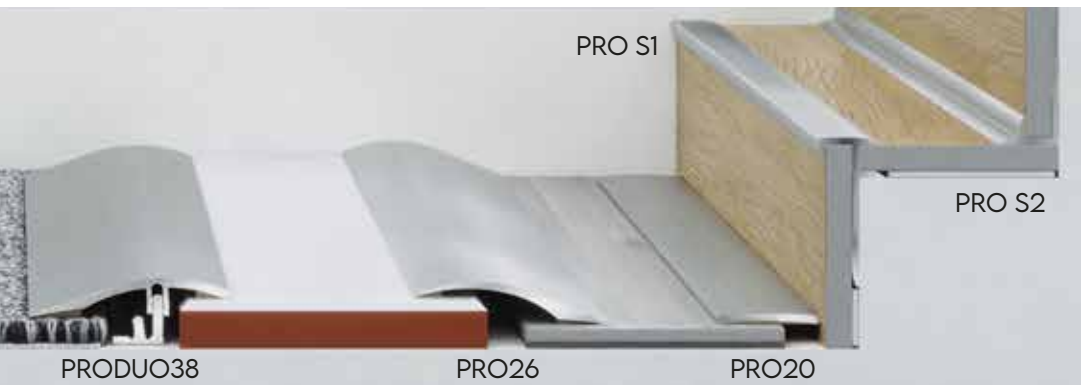
## PRO26

LEVELING  
UP TO 6MM



- connecting floors with small level difference
- assembly on glue

In PRO SYSTEM you will find the perfect masking of 10mm vinyl click floors dilatation or aesthetic connection of a hard floor with a carpet.  
8 selected shapes - Professional solutions has never been so easy.



**PRO38**  
LEVELING  
UP TO 16MM

▪ connecting floors with high level difference



**PRODUO38**  
LEVELING  
FLOORS

▪ connection of the hard floor with carpets with a large difference in levels  
▪ two-parts solid installation system  
▪ assembly on glue or screws



**PRO L**  
FINISHING

▪ finishing at the balcony door or furniture bases  
▪ glue assembly



**PRO S**  
PERFECT FOR  
VINYL FLOORS

# PRO20



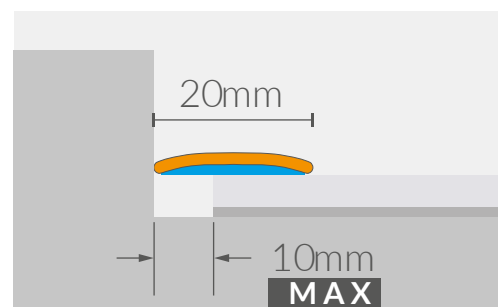
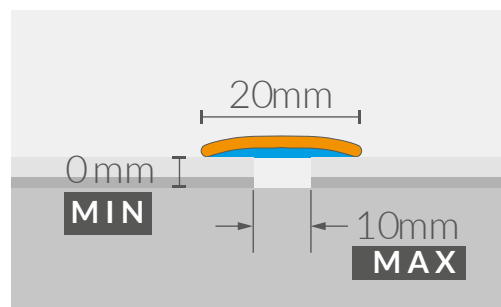
**MAX**  
DILATATION  
10 mm

**PROFI**  
SOLUTION

20 mm

GLUE FIX

## DIMENSIONS



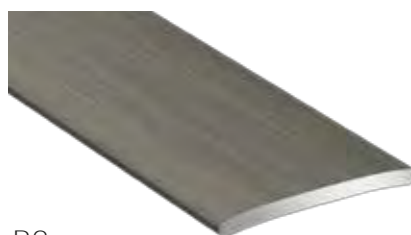
## COLORS



B1

**0,93 m** 5905167800911

**1,86 m** 5905167800942



B3

**0,93 m** 5905167800935

**1,86 m** 5905167800966

0,93 m - 12 pcs. / 1,86 m - 6 pcs.

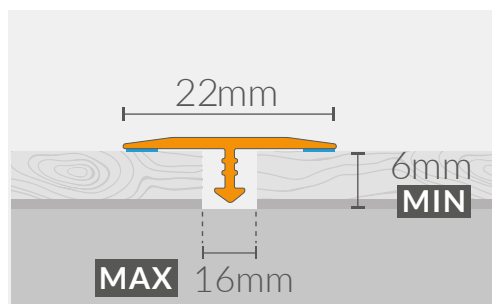
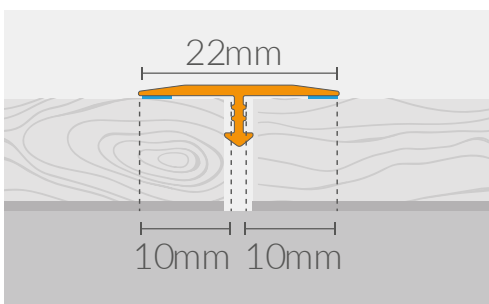
# PRO T



**MAX**  
DILATATION  
16 mm



## DIMENSIONS



## COLORS



B1

**0,93 m** 5905167815458


**1,86 m** 5905167815472



B3

**0,93 m** 5905167815465

**1,86 m** 5905167815489

 0,93 m - 12 pcs. / 1,86 m - 6 pcs.



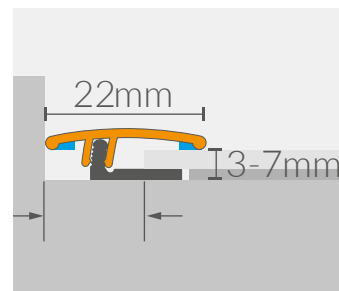
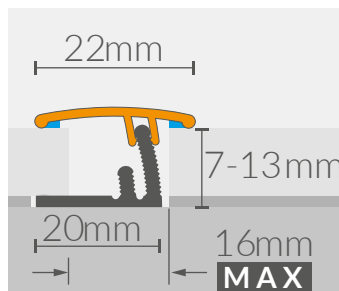
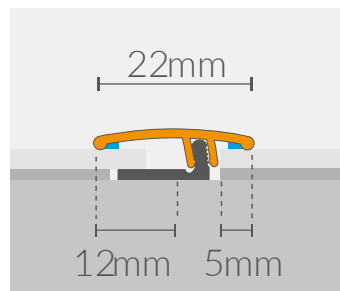
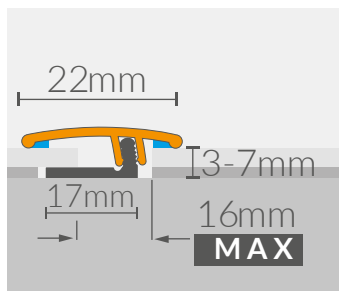
# PRODUO22



**MAX**  
DILATATION  
16 mm



## DIMENSIONS



## COLORS



B1

**0,93 m** 5905167815106

**1,86 m** 5905167815120



B3

**0,93 m** 5905167815113

**1,86 m** 5905167815137

 0,93 m - 12 pcs. / 1,86 m - 6 pcs.

# PRO26



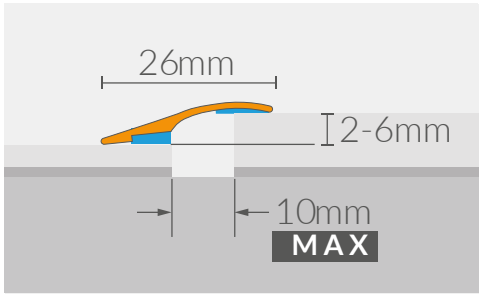
**MAX**  
LEVELING  
6 mm

**MAX**  
DILATATION  
10 mm

26 mm

GLUE FIX

## DIMENSIONS



## COLORS



<b>B1</b>	
<b>0,93 m</b>	5905167800973
<b>1,86 m</b>	5905167801000



<b>B3</b>	
<b>0,93 m</b>	5905167800997
<b>1,86 m</b>	5905167801024

 0,93 m - 12 pcs. / 1,86 m - 6 pcs.

# PRO38

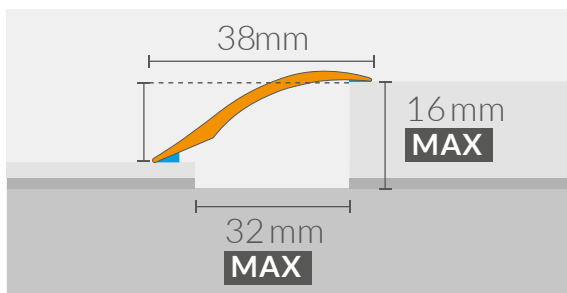


**MAX**  
DILATATION  
32 mm

**MAX**  
LEVELING  
16 mm



## DIMENSIONS



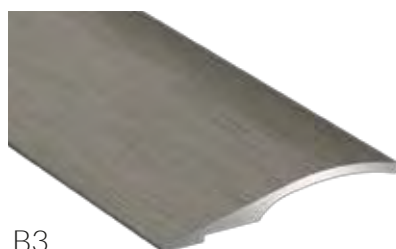
## COLORS



B1

**0,93 m** 5905167825020


**1,86 m** 5905167825044



B3

**0,93 m** 5905167825037

**1,86 m** 5905167825051

 0,93 m - 12 pcs. 1,86 m - 6 pcs.

# PRODUO38

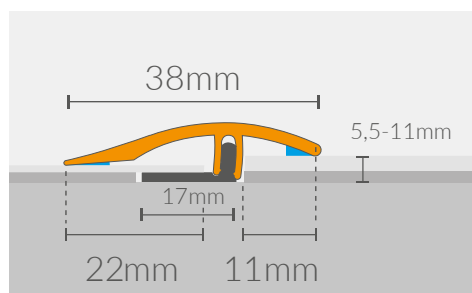
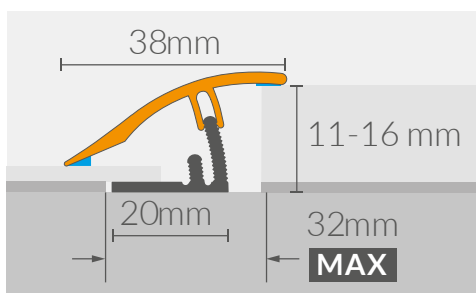


**MAX**  
LEVELING  
16 mm

**MAX**  
DILATATION  
32 mm



## DIMENSIONS



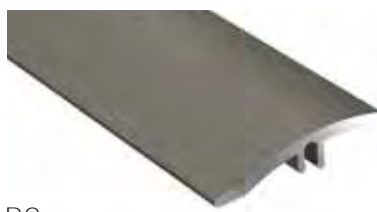
## COLORS



B1

**0,93 m** 5905167815144


**1,86 m** 5905167801109



B3

**0,93 m** 5905167815151

**1,86 m** 5905167815168

 0,93 m - 12 pcs. 1,86 m - 6 pcs.



# PRO L

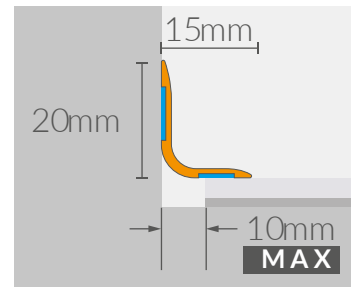
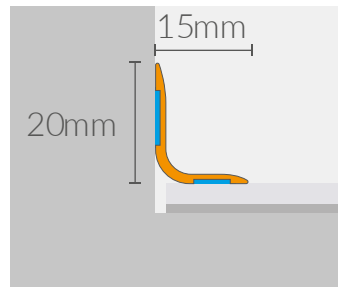
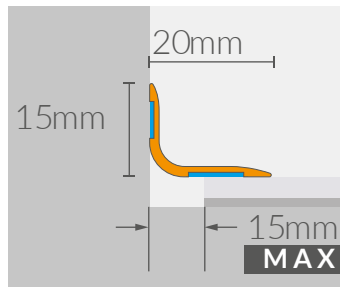
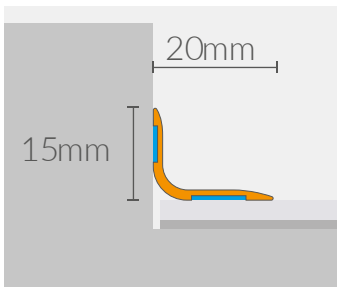


**MAX**  
DILATATION  
15 mm

20 mm

GLUE FIX

## DIMENSIONS



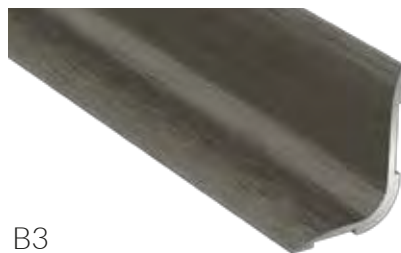
## COLORS



B1

**0,93 m** 5905167801048


**1,86 m** 5905167801031



B3

**0,93 m** 5905167801062

**1,86 m** 5905167801055

 0,93 m - 12 pcs. 1,86 m - 6 pcs.



**PRO S**  
PERFECT  
FOR FINISHING STAIRS  
WITH VINYL FLOORS



PRO S1

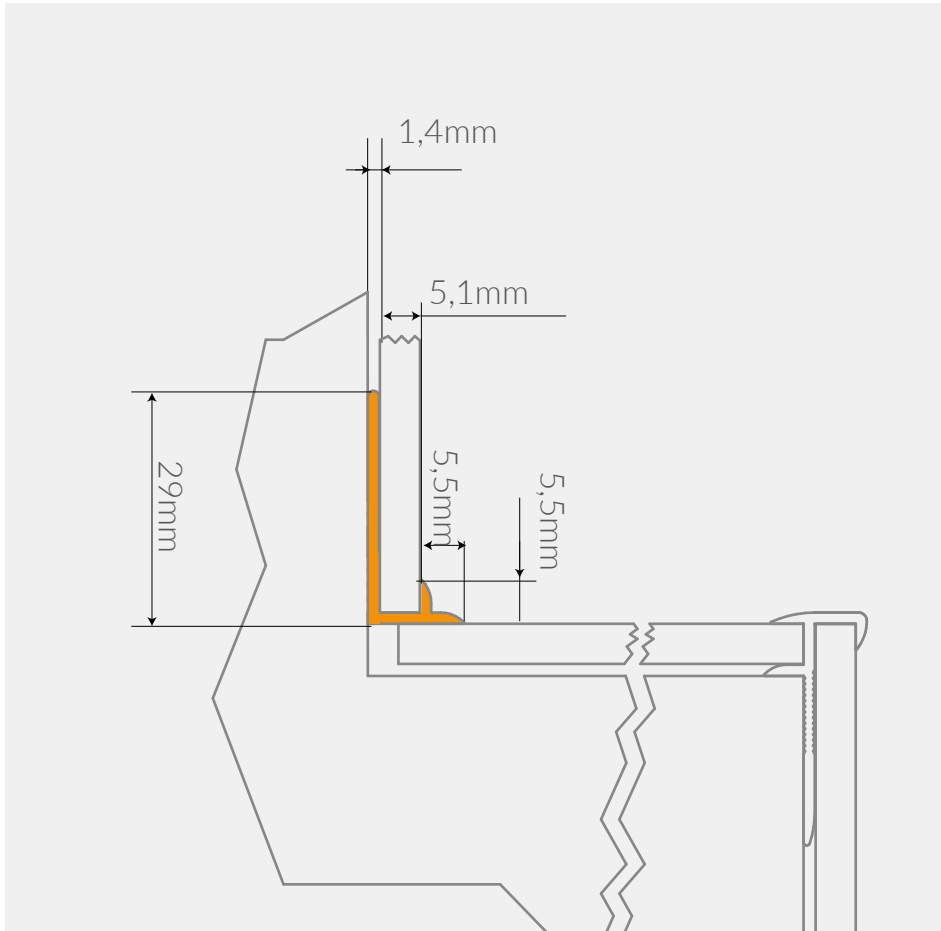


PRO S2

# PRO S1 (INNER)



## DIMENSIONS



## COLORS



B1

2,00 m

5905167839270

12 pcs



B3

2,00 m

5905167839294

12 pcs



# PRO S2

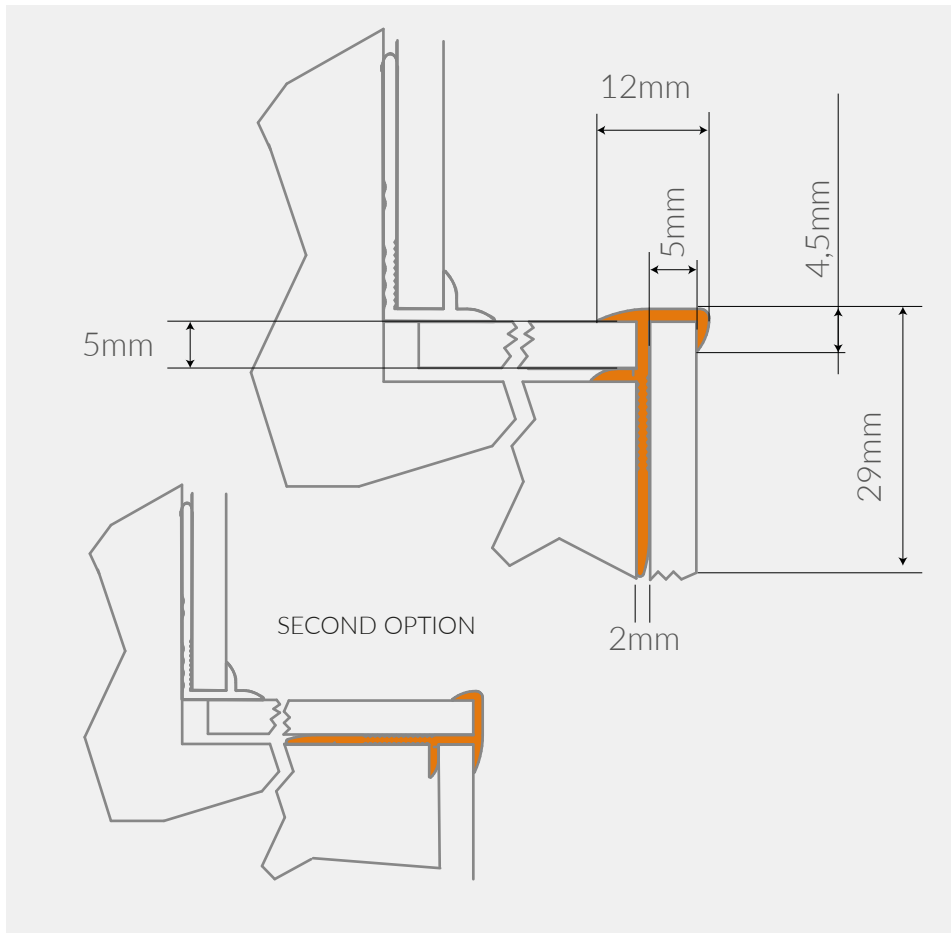
## (OUTER)



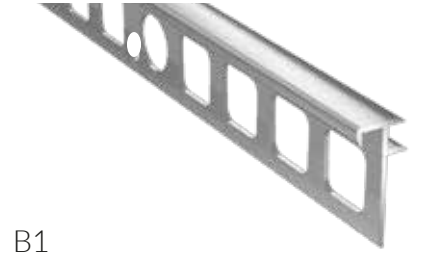
PERFECT FOR VINYL FLOORING 4-5 mm

12 mm

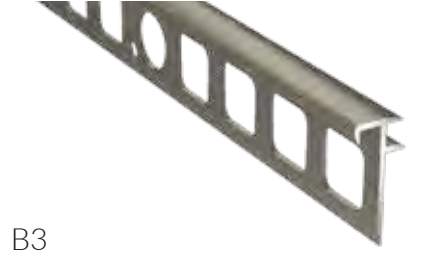
### DIMENSIONS



### COLORS



B1  
2,00 m 5905167839287  
12 pcs



B3  
2,00 m 5905167839300  
12 pcs





# COMPLEMENTARY OFFER



DILATATION  
PROFILES



LEVELING  
PROFILES



STAIRS  
PROFILES



# T16

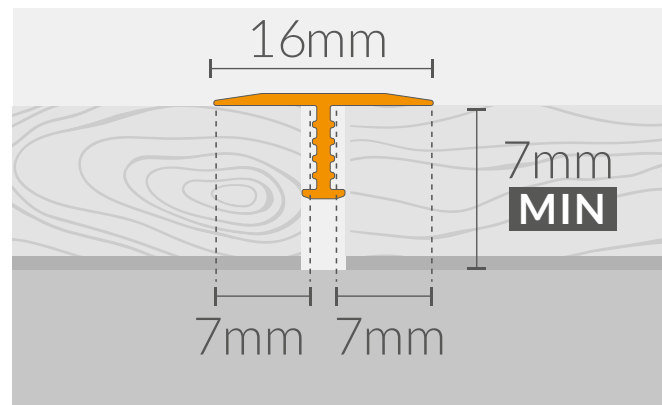
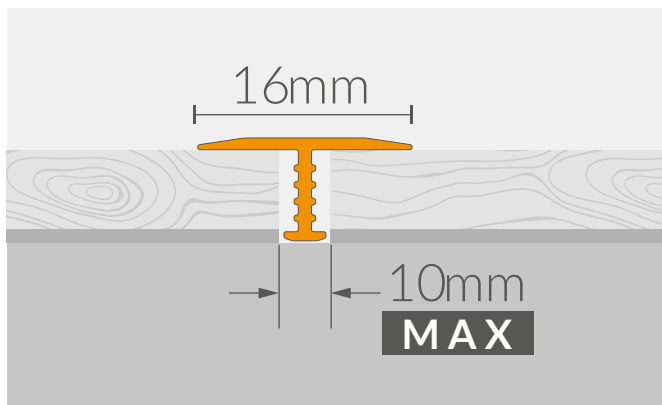


**MAX**  
DILATATION  
10 mm

16 mm

GLUE

## DIMENSIONS



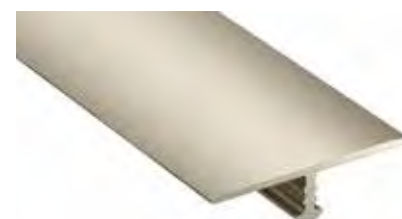
## COLORS



A1  
0,93 m 5905167768327  
1,86 m 5905167768471



A2  
0,93 m 5905167768334  
1,86 m 5905167768488



A3  
0,93 m 5905167768341  
1,86 m 5905167768495

0,93 m - 12 pcs. / 1,86 m - 4 pcs.

# SM1



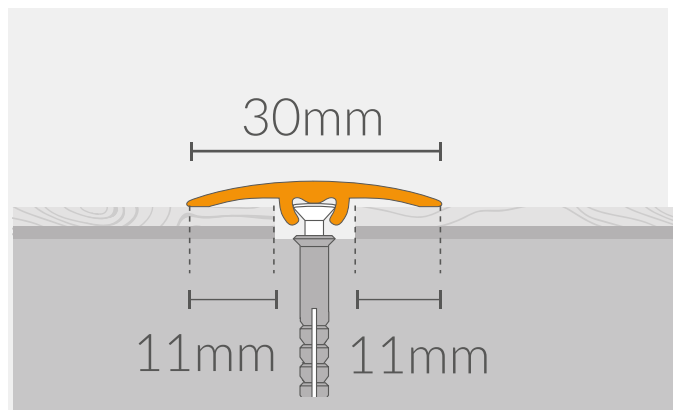
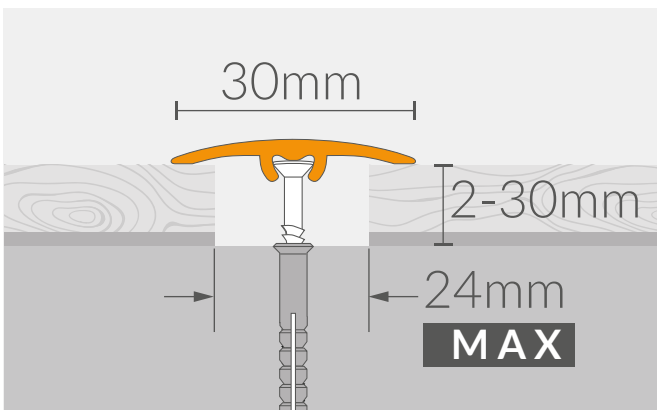
**MAX**  
DILATATION  
24 mm

**SILICONE BARRIER**  
○○○

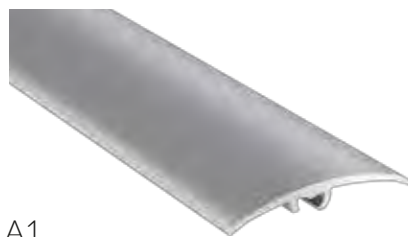
30 mm

SCREW FIX

## DIMENSIONS



## COLORS



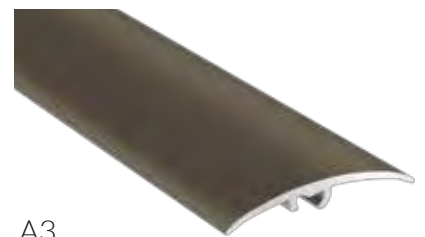
**A1**

<b>0,93 m</b>	5905167035818
<b>1,86 m</b>	5905167035610
<b>2,79 m</b>	5906735611823



**A2**

<b>0,93 m</b>	5905167035825
<b>1,86 m</b>	5905167035627
<b>2,79 m</b>	5906735611830



**A3**

<b>0,93 m</b>	5905167686317
<b>1,86 m</b>	5905167686324
<b>2,79 m</b>	5905167686331

0,93 m - 12 pcs. / 1,86 m - 4 pcs.



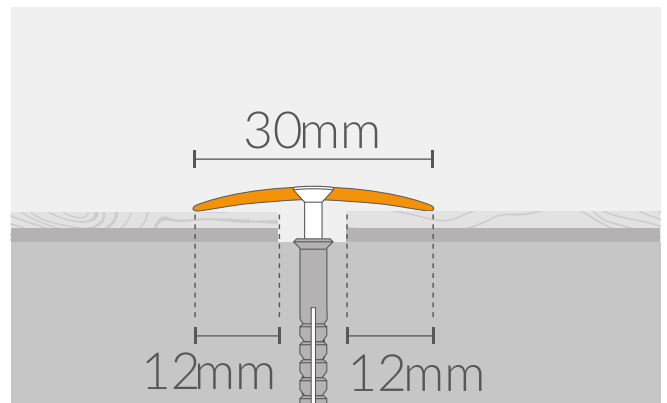
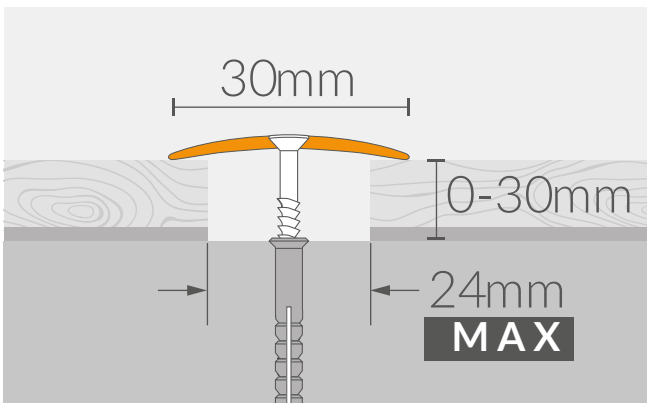
# PR3



<b>MAX</b> DILATATION 24 mm	<b>SILICONE</b> <b>BARRIER</b> ○○○
-----------------------------------	--

30 mm	SCREW FIX
-------	-----------

## DIMENSIONS



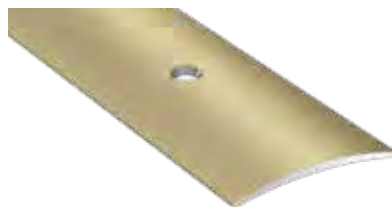
## COLORS



A1

**0,93 m** 5906735611175

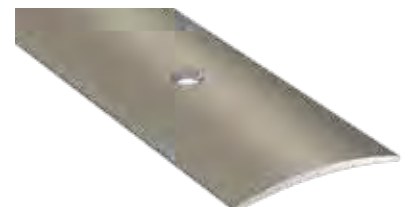
**1,86 m** 5906735611205



A2

**0,93 m** 5906735611182

**1,86 m** 5906735611212



A3

**0,93 m** 5905167686515

**1,86 m** 5905167686522

0,93 m - 12 pcs. / 1,86 m - 4 pcs.

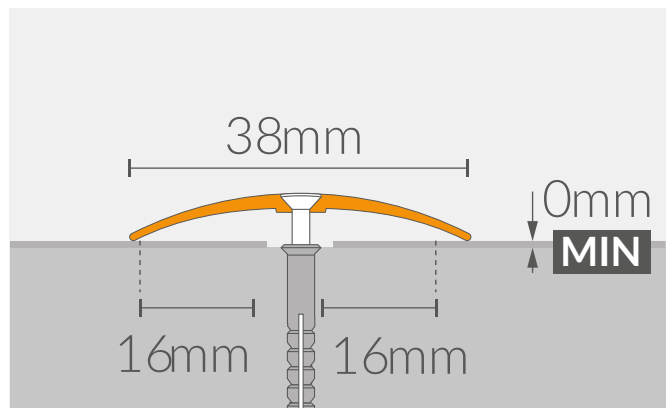
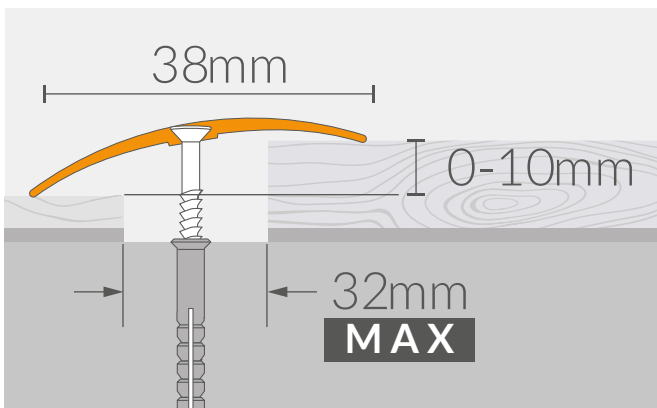
# PR8



<b>MAX</b> LEVELING 10 mm	<b>MAX</b> DILATATION 32 mm	<b>SILICONE</b> <b>BARRIER</b> ○○○
---------------------------------	-----------------------------------	--

38 mm	SCREW FIX
-------	-----------

## DIMENSIONS



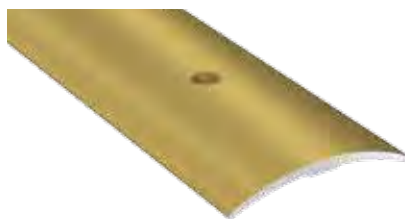
## COLORS



A1

**0,93 m** 5905167767696

**1,86 m** 5905167767726



A2

**0,93 m** 5905167767702

**1,86 m** 5905167767733



A3

**0,93 m** 5905167767719

**1,86 m** 5905167767740

📦 0,93 m - 12 pcs. / 1,86 m - 4 pcs.

# PR3K

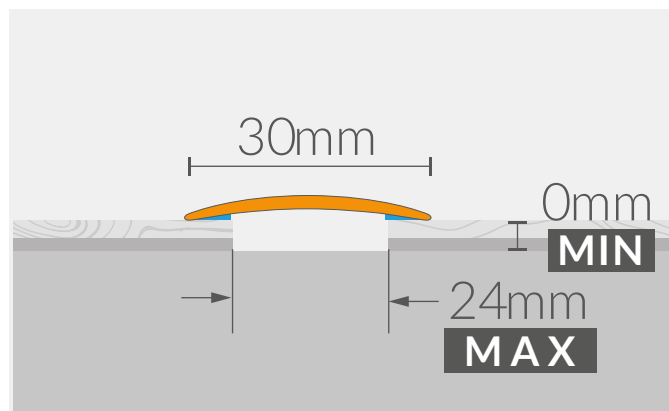
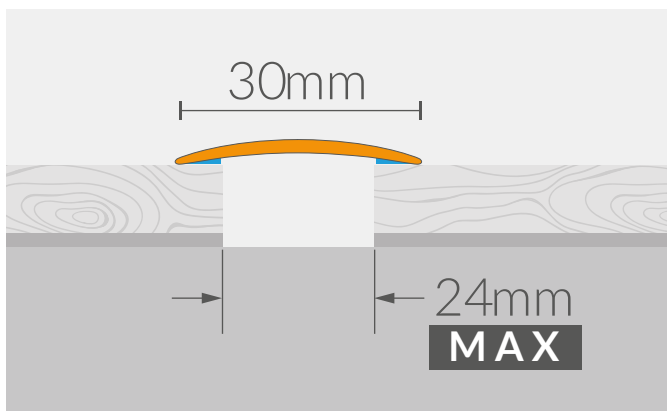


**MAX**  
DILATATION  
24 mm

30 mm

GLUE FIX

## DIMENSIONS



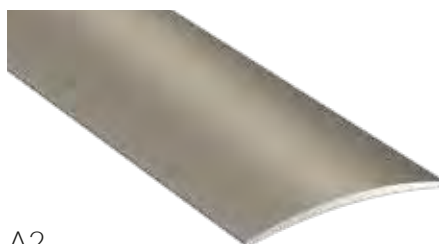
## COLORS



A1

**0,93 m** 5906735611267


**1,86 m** 5906735611298



A2

**0,93 m** 5905167689455

**1,86 m** 5905167689462

 0,93m: 12 pcs / 1,86m: 4 pcs

# SM2



**MAX**  
DILATATION  
35 mm

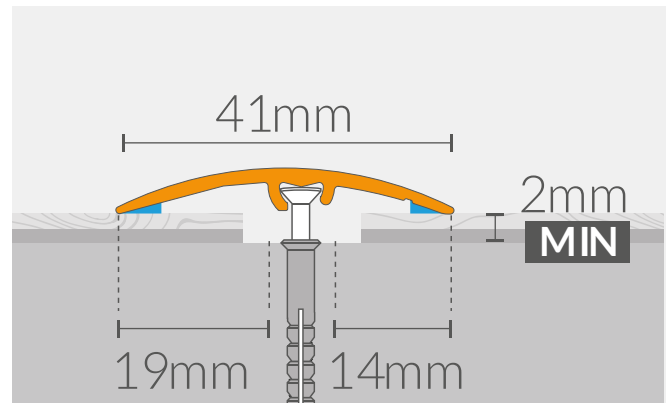
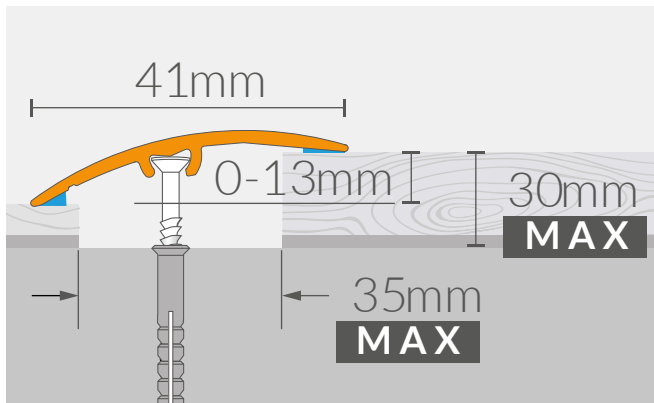
**MAX**  
LEVELING  
13 mm

SILICONE  
BARRIER  
○○○

41 mm

SCREW FIX

## DIMENSIONS



## COLORS



A1

---

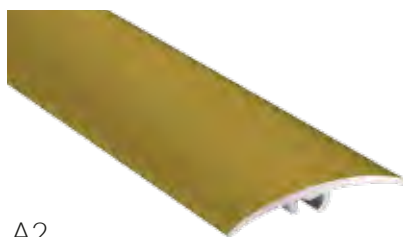
**0,93 m**      5905167033814

---

**1,86 m**      5905167033616

---

**2,79 m**      5906735612035



A2

---

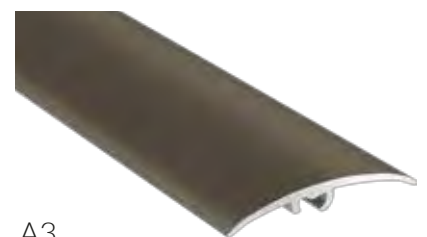
**0,93 m**      5905167033821

---

**1,86 m**      5905167033623

---

**2,79 m**      5906735612042



A3

---

**0,93 m**      5905167686348

---

**1,86 m**      5905167686355

---

**2,79 m**      5905167686362

0,93m - 12 pcs. / 1,86 m - 4 pcs.



# SM3



SILICONE  
BARRIER  
○○○

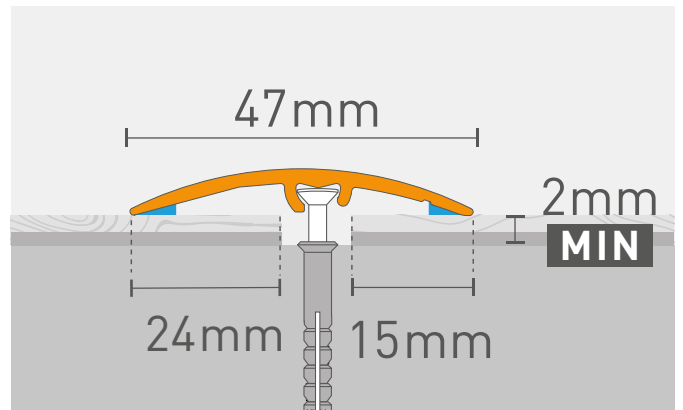
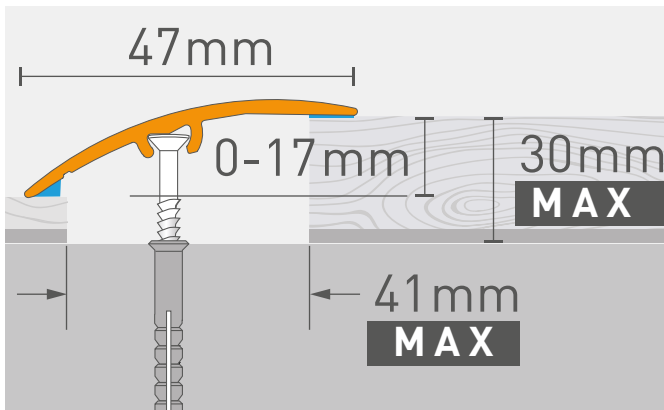
MAX  
LEVELING  
17 mm

MAX  
DILATATION  
41 mm

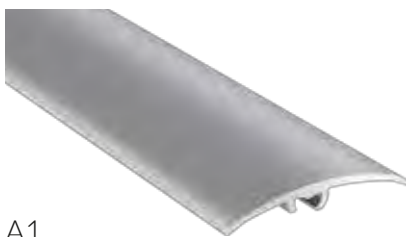
47 mm

SCREW FIX

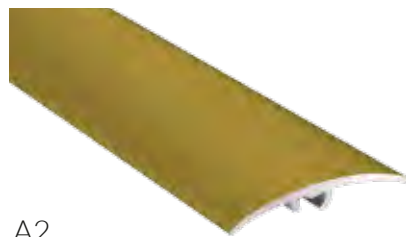
## DIMENSIONS



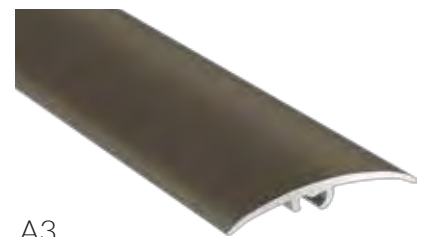
## COLORS



A1  
0,93 m 5905167036815  
1,86 m 5905167033616  
2,79 m 5906735626902



A2  
0,93 m 5905167036822  
1,86 m 5905167033623  
2,79 m 5906735626957



A3  
0,93 m 5905167686379  
1,86 m 5905167686355  
2,79 m 5905167686393

📦 0,93 m - 12 pcs. / 1,86 m - 4 pcs.

# PR4



**MAX**  
DILATATION  
42 mm

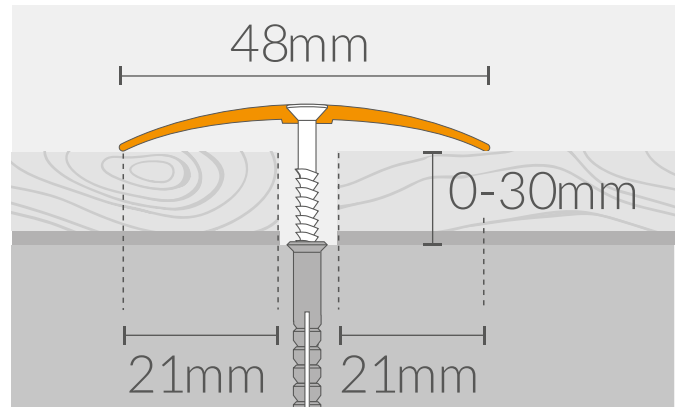
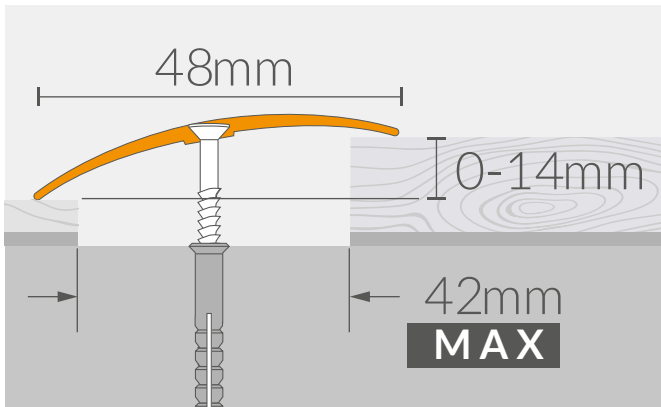
**MAX**  
LEVELING  
14 mm

**PROFI**  
SOLUTION

48 mm

SCREW FIX

## DIMENSIONS



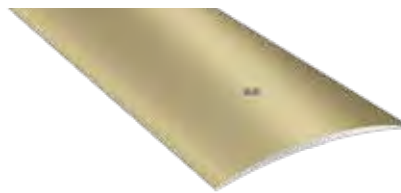
## COLORS



A1

**0,93 m** 5906735611366

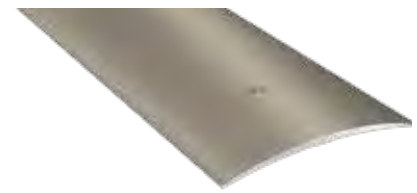
**1,86 m** 5906735611397



A2

**0,93 m** 5906735611373

**1,86 m** 5906735611403



A3

**0,93 m** 5905167686546

**1,86 m** 5905167686553

0,93 m - 12 pcs. / 1,86 m - 4 pcs.

# PR10



**MAX**  
DILATATION  
64 mm

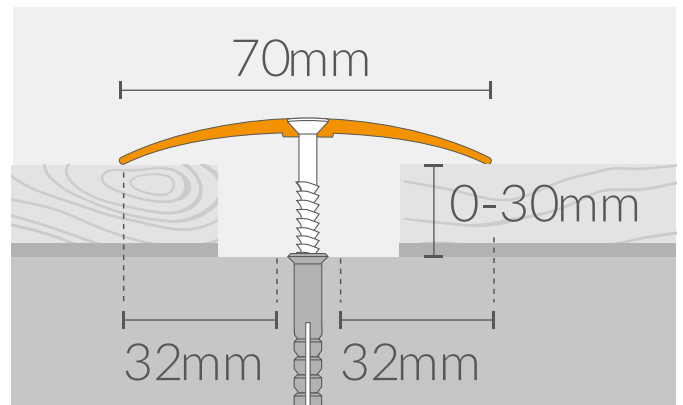
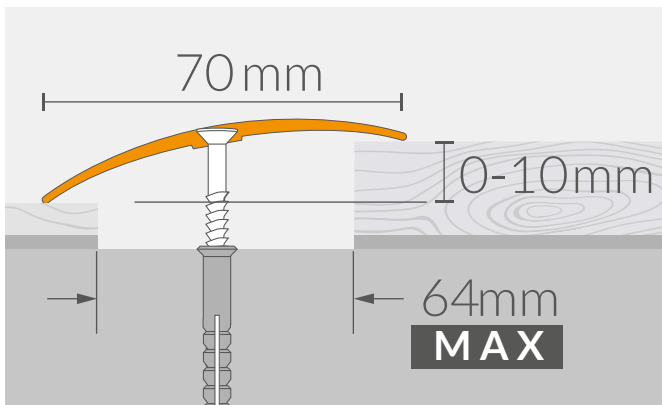
**MAX**  
LEVELING  
10 mm

**PROFI**  
SOLUTION

70 mm

SCREW FIX

## DIMENSIONS



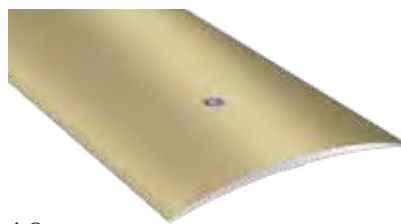
## COLORS



A1

**0,93 m** 5905167767788

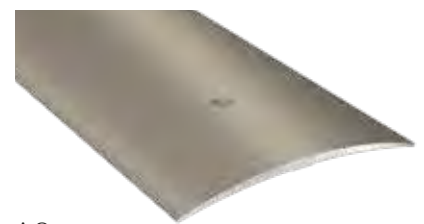
**1,86 m** 5905167767818



A2

**0,93 m** 5905167767795

**1,86 m** 5905167767825



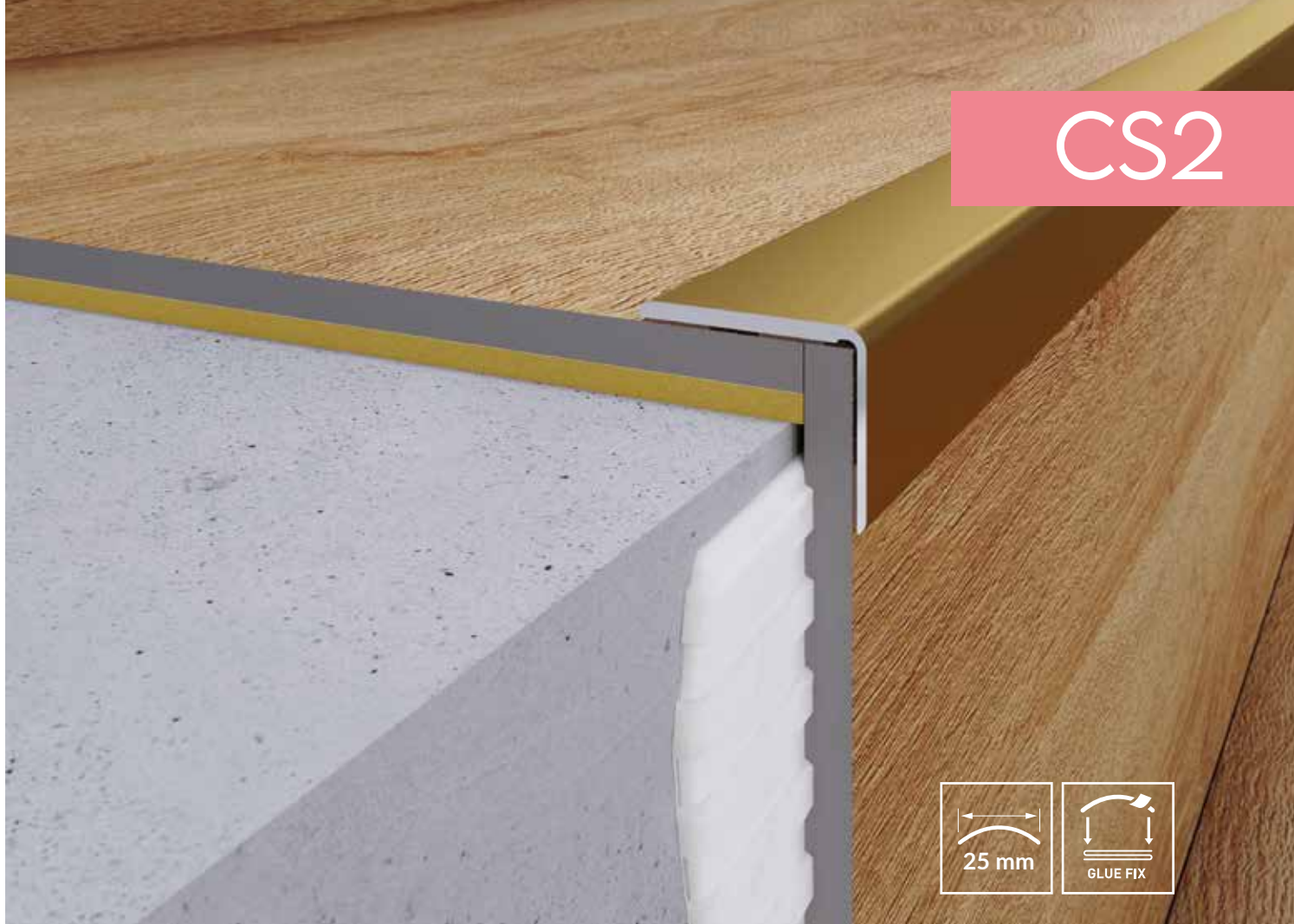
A3

**0,93 m** 5905167767801

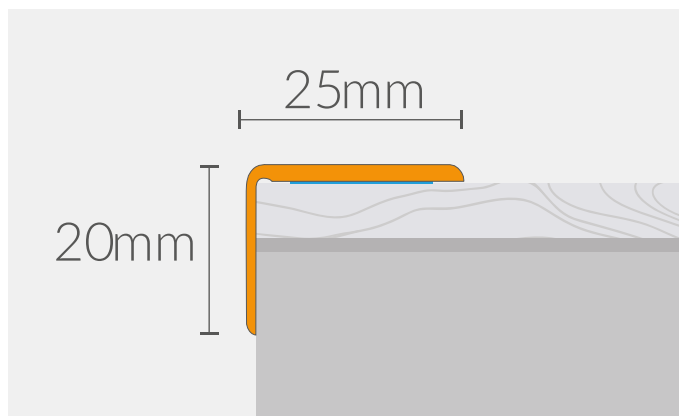
**1,86 m** 5905167767832

0,93 m - 8 pcs. / 1,86 m - 4 pcs.

# CS2



## DIMENSIONS



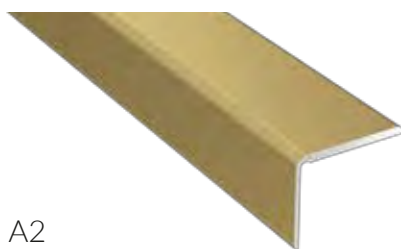
## COLORS



A1

**1,20 m**

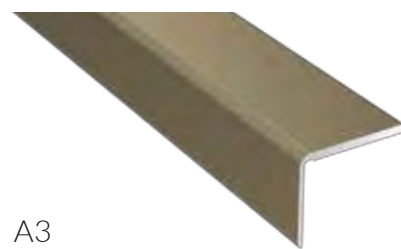
5906735611366



A2

**1,20 m**

5906735611373



A3

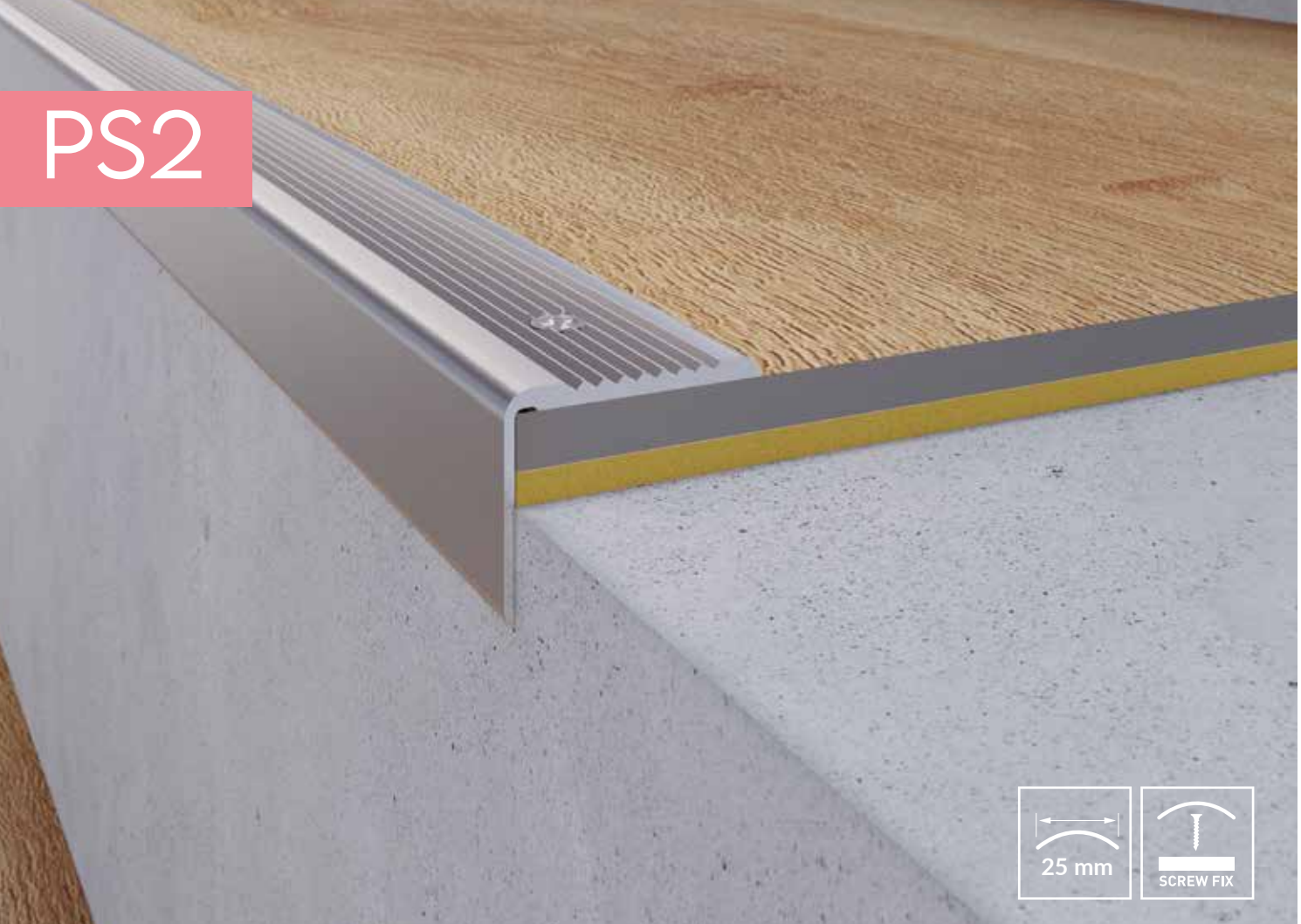
**1,20 m**

5905167686546

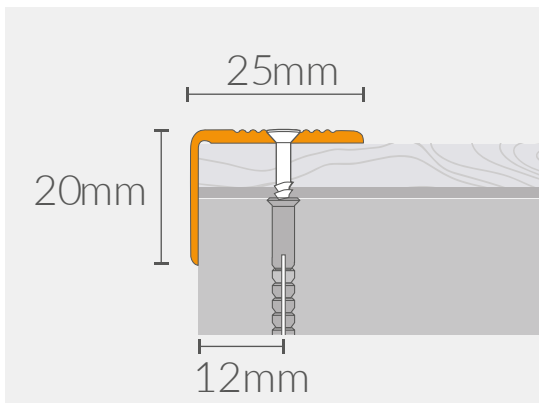
 4 pcs.



# PS2



## DIMENSIONS



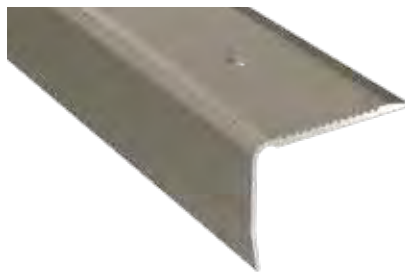
## COLORS



A1

**1,20 m**

5905167767962



A3

**1,20 m**

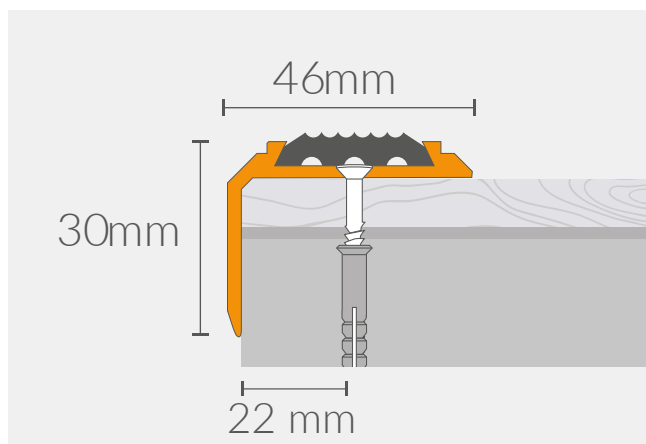
5905167767986

 4 pcs.

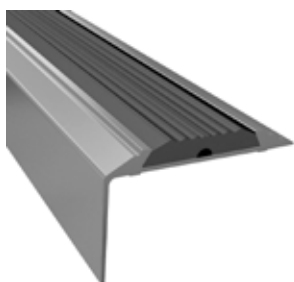
PS6



DIMENSIONS



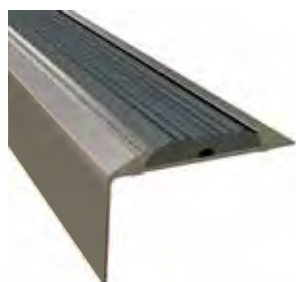
COLORS



A1

1,20 m


5905167768082



A3

1,20 m

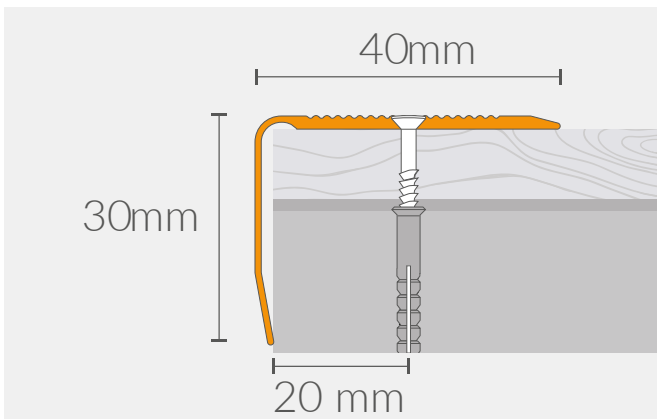
5905167768105

 4 pcs.

# PS8



## DIMENSIONS



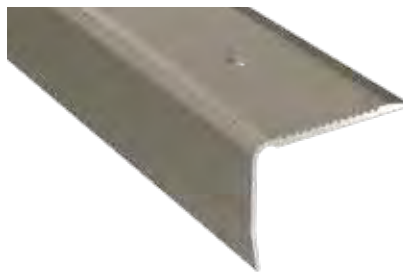
## COLORS



A1

1,20 m

5905167768020



A3

1,20 m

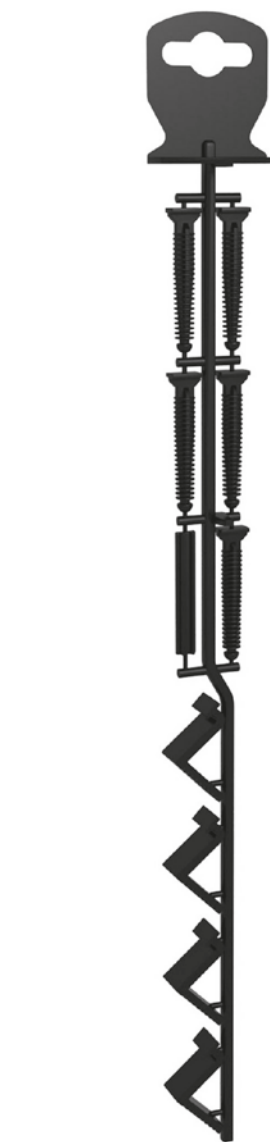
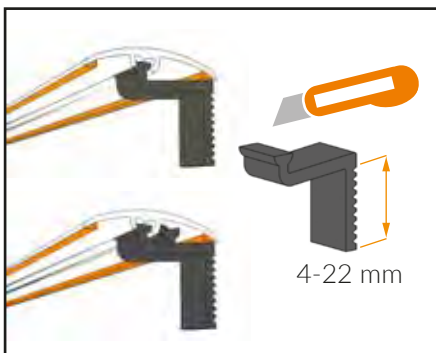
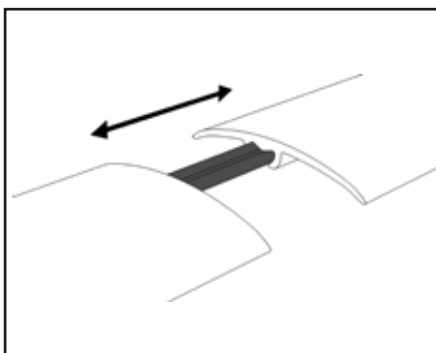
5905167768044

 4 pcs.

# ACCESSORIES

## SERVICE PACK

The mounting system for the slats from the COLOR SYSTEM series  
EAN: 5905167827178



## METAL SCREW KIT

set includes 5 metal screws + mounting pins  
(universal for the COLOR SYSTEM and PRO SYSTEM series profiles)  
EAN: 5905167825068





## CHECK OUR COMPLEMENTARY PRODUCTS:



### **VINYL FLOOR**

Vinyl flooring - beautiful and practical, HD Mineral Core vinyl flooring. When creating the collections of vinyl flooring, we strived to make them beautiful like wood, and at the same time practical like ceramic tiles.

At foundation of this product lies a mineral core (HD MINERAL CORE) developed in our laboratory, which is a mixture of natural minerals with modern polymers. We have also taken care of a number of properties thanks to which - we are deeply convinced of it - you will love Arbiton floors.



## SKIRTING BOARDS

It is said that the devil is in the details, so pay attention to all - even the smallest - details. They constitute the strength of the whole solution, because nothing dazzles the eyes more than the finish of the arrangement that does not match the general idea or is made in a negligent manner. On the other hand, properly selected details, nuances can completely change the character of the interior design.

When it comes to floors, it is exactly the same, so before you start renovation, you should think about the elements that will ensure a stylish finish of the floor. First of all, you need to pay attention to the skirting boards - without them, any floor, no matter how beautiful, will be average at best.

## UNDERLAYS

See how to choose the best support for your floor. The underlays for floor are like a coach - you cannot see him, but he supports the athlete and helps him achieve his full potential.

It works similarly in the world of flooring - a good underlay will make the panels look delightful, while a bad underlay can spoil the whole effect, even if you have the best floor panels on the market. Why there is such a discrepancy? Why is the underlay so important for panels and what to pay attention to when shopping?

All you need to do is be familiar with a few facts, and soon you will be able to judge it yourself.







The catalogue is a free of charge presentation of products of Decora S.A. and acc. to valid law it is not a commercial offer. Colors and textures of the products in pictures may differ from real ones because of limited printing technologies. Decora S.A. reserves its right to alter availability of the products on some markets and at some distributors. The products included in the catalogues do not pose a complete offer of Decora S.A.

**Arbiton**  
FLOOR EXPERT

Decora S.A.  
ul. Prądyńskiego 24a  
63-000 Środa Wielkop., Polska  
tel.: +48 61 28 64 200  
fax: +48 61 28 54 975  
e-mail: [sales@decora.pl](mailto:sales@decora.pl)  
[www.arbiton.com](http://www.arbiton.com)